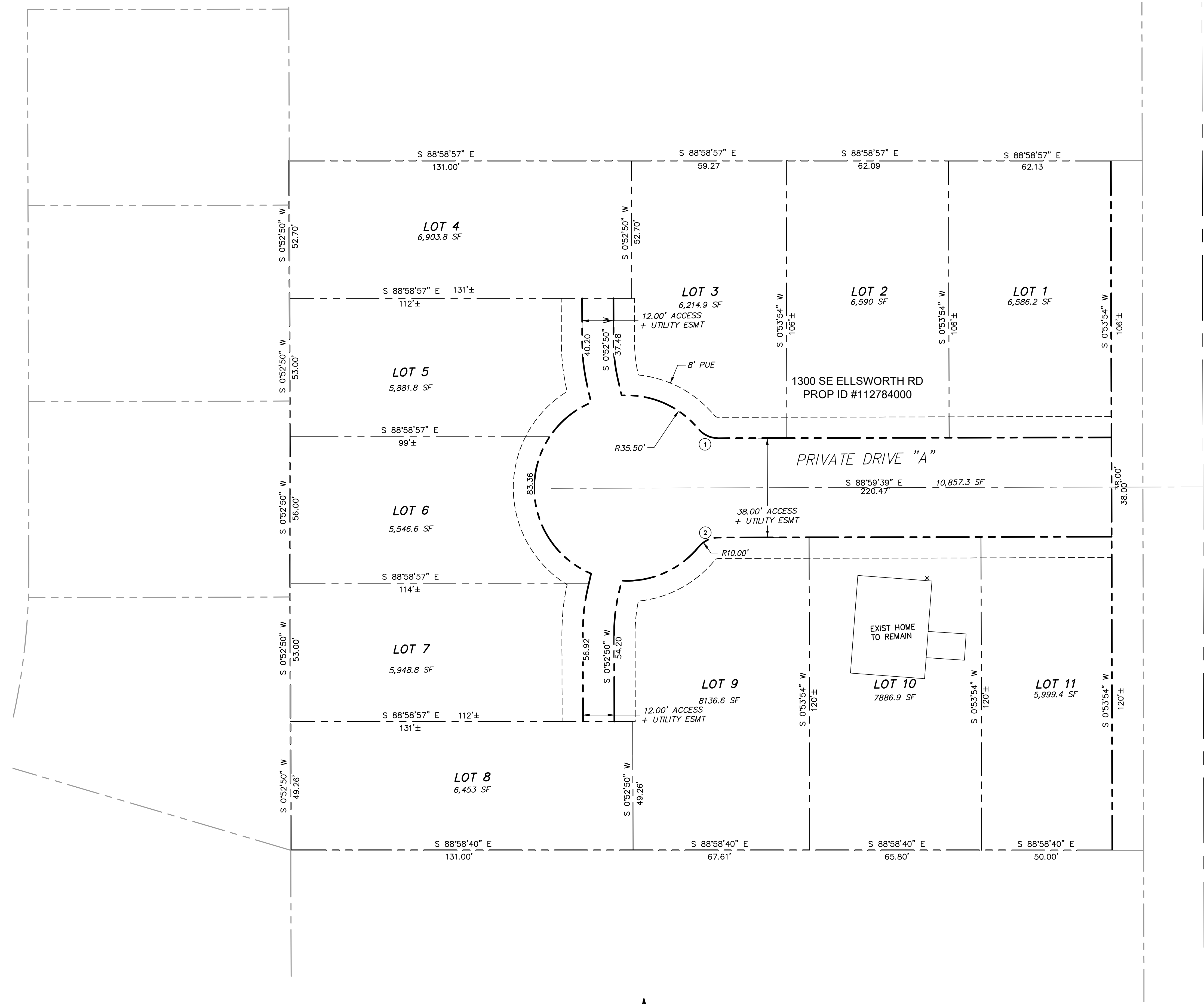
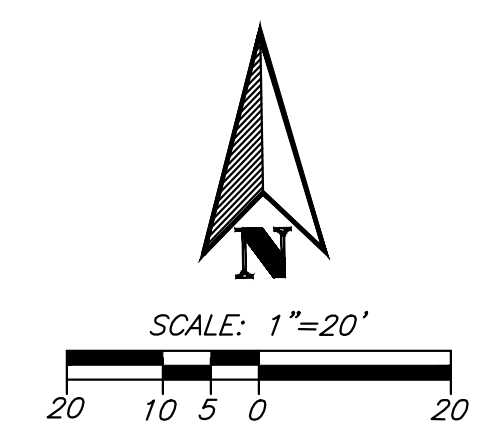


XREF LIST
 Ltscale: 1
 Plttscale: 1
 Resolved
 ELL001X01
 ELL001X10
 ELL001DDX5



CURVE DATA TABLE

CURB CURVE TABLE				
CURVE	RADIUS	LENGTH	Δ	CHORD LENGTH
①	10.00'	8.80'	50°24'16"	8.52'
②	10.00'	8.80'	50°24'16"	8.52'



TENTATIVE PLAT
 SCALE: 1" - 20'

DL
 DL CONSULTING WA INC.
 500 West 8th Street
 Suite 45
 Vancouver, WA 98660
 (360) 567-6466

CAROL I. DARLING
 STATE OF WASHINGTON
 38440
 REGISTERED
 PROFESSIONAL ENGINEER
 EXPIRES: 9/3/21

1300 S.E. ELLSWORTH SUBDIVISION
 VANCOUVER, WASHINGTON
 TENTATIVE PLAT

REV.	DATE	BY

PROJECT NUMBER	ELL001
Date:	04/27/2021
Scale:	AS NOTED
Drawn By:	JEM
Designed By:	GID
Checked By:	GID

C2.1

NAME: V:\ELL001\CD\ELL001D21.dwg DATE: FEB 6, 2019 TIME: 12:20 PM